

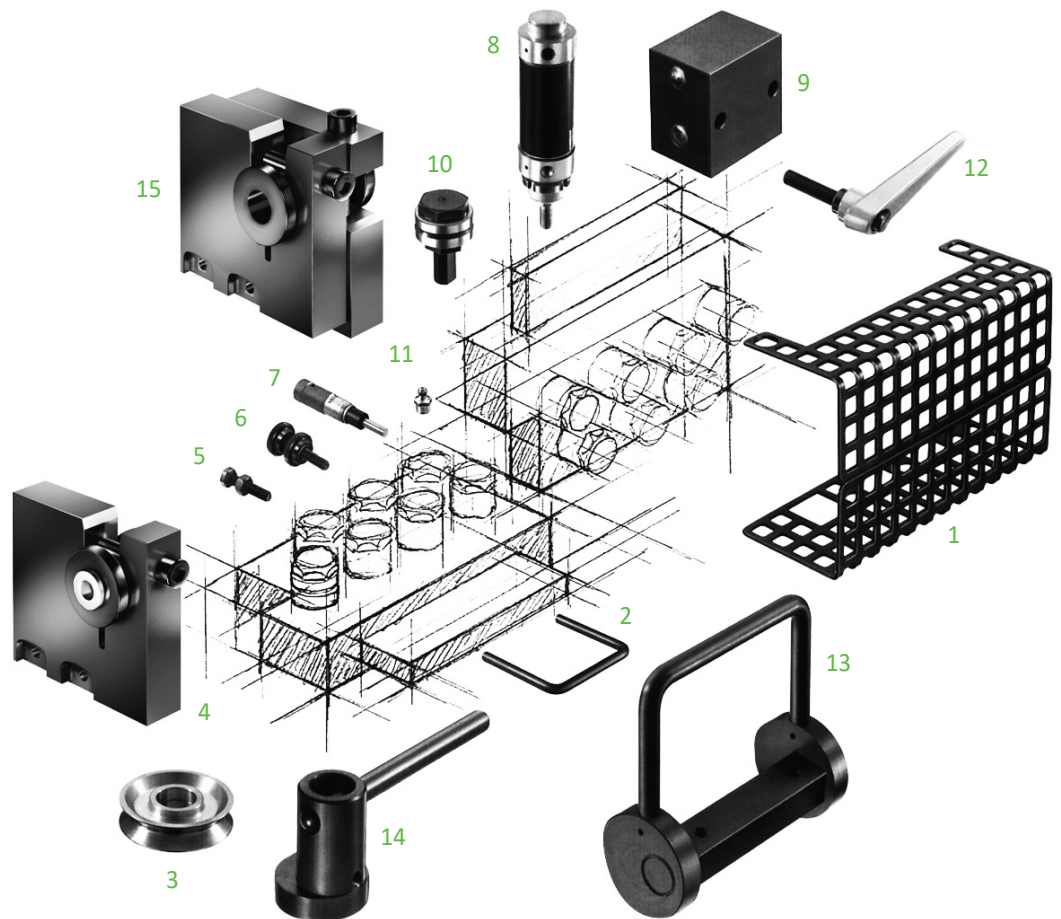


Contents	Page
Introduction	117
RT & RTS Series - Parts & Accessories	118
ER & RA Series - Parts & Accessories	119
PO Series - Positional Counters	120
FU Series - Adjustable Support Stands	121

Spare Parts & Accessories

A full range of Spare Parts and Accessories are available for all Witels Albert products. Please request full details for your particular model.

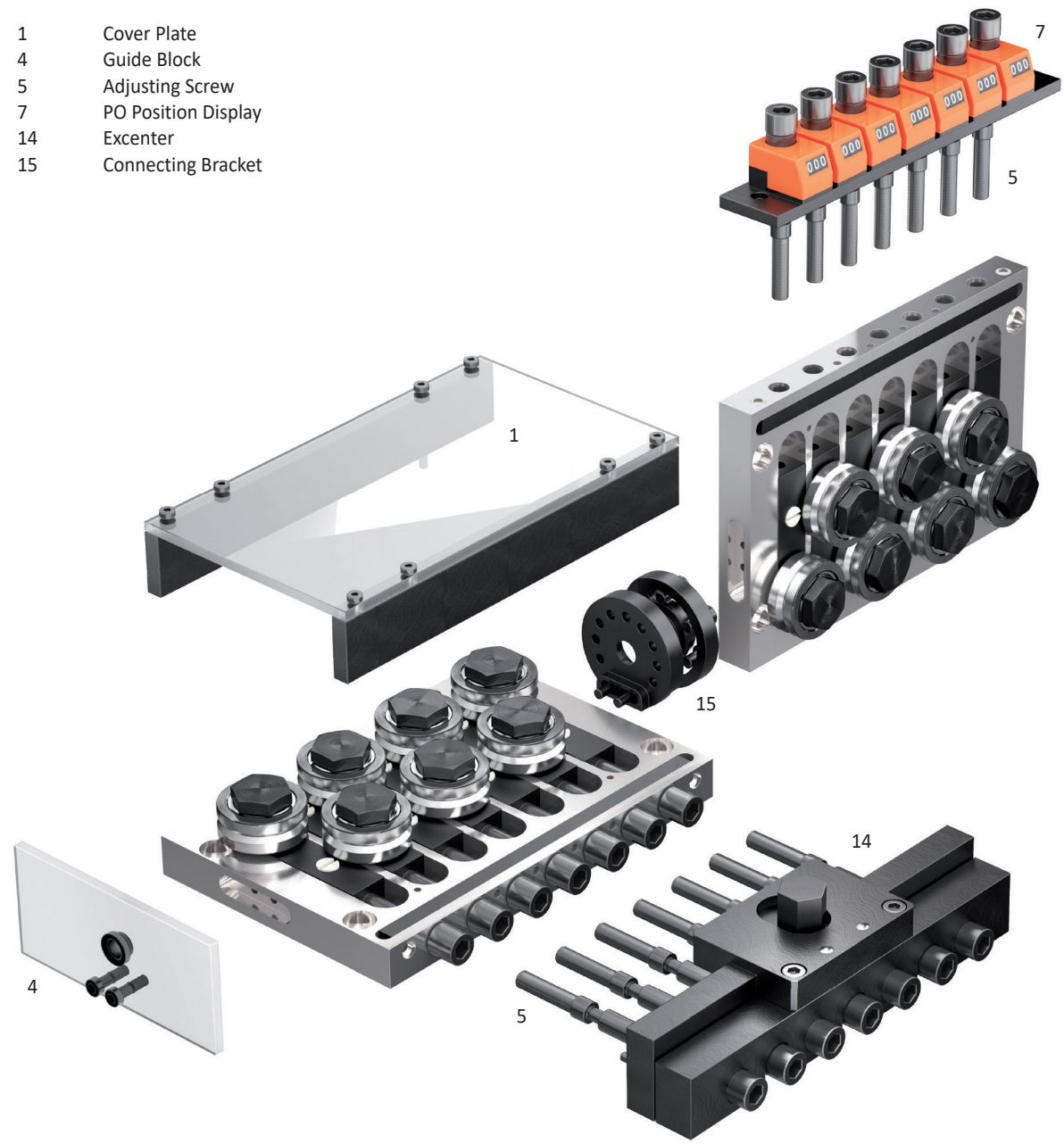
Typical Parts



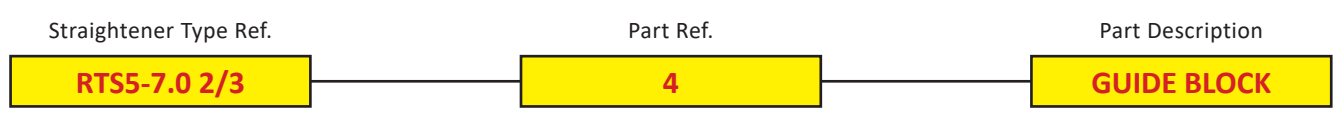
- | | |
|-----------------------------------|---|
| 1. Safety Guard | 9. Pneumatic Actuator |
| 2. Cam Lock | 10. Straightening Roller, Adjustable Height |
| 3. Guide Pulley | 11. Grease Nipple |
| 4. Guide Block | 12. Clamping Lever |
| 5. Adjusting Screw | 13. Double Cam Quick Release Lever |
| 6. Knurled Screw | 14. Single Cam Quick Release Lever |
| 7. Micrometer or Position Display | 15. Adjustable Connecting Bracket |
| 8. Actuator Adjustment | |

RT & RTS - Type Straighteners

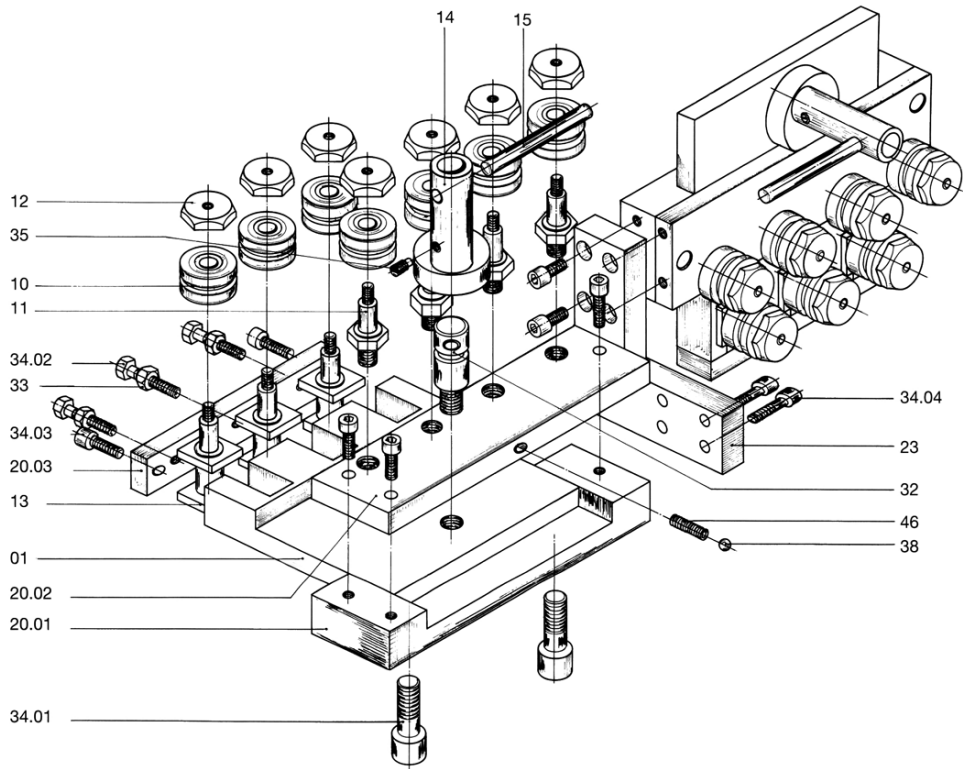
- 1 Cover Plate
- 4 Guide Block
- 5 Adjusting Screw
- 7 PO Position Display
- 14 Excenter
- 15 Connecting Bracket



How to Order

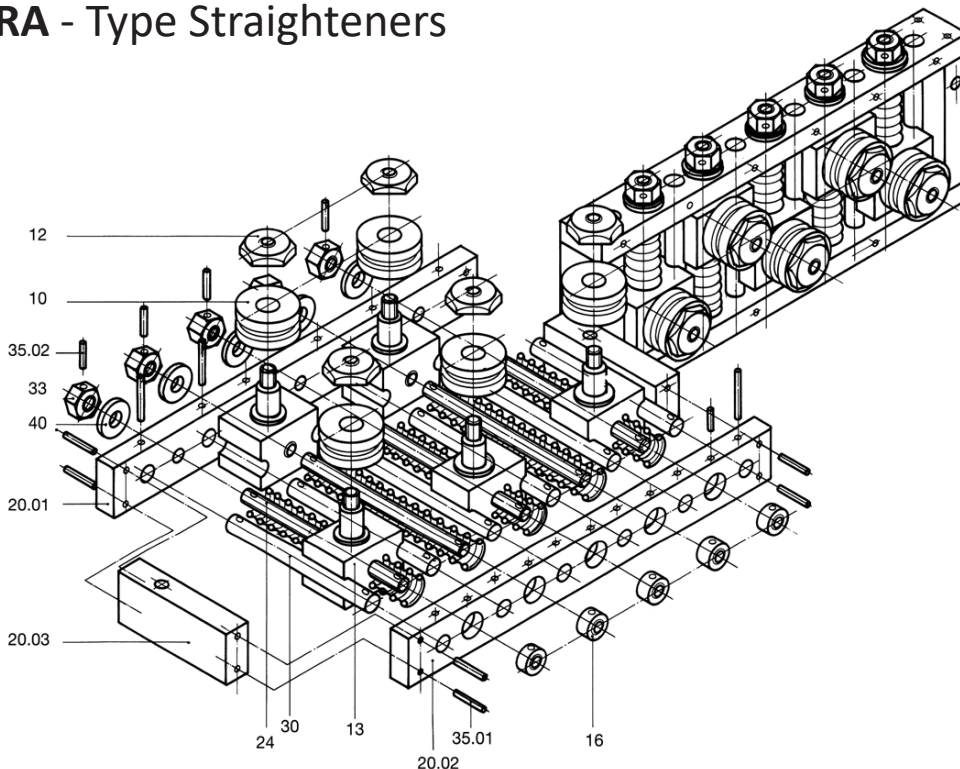


ER - Type Straighteners



- 1 Base Plate
- 10 Straightening Roller
- 11 Screw Bolt
- 12 Cover Disc
- 13 Grooved Piece
- 14 Eccentric Cam
- 15 Grip
- 20.01 Section Plate
- 20.02 Section Plate
- 20.03 Section Plate
- 23 Connection Bracket
- 32 Bolt
- 33 Nut
- 34.01 Screw
- 34.02 Screw
- 34.03 Screw
- 34.04 Screw
- 35 Pin
- 38 Ball
- 46 Spring

RA - Type Straighteners



- 10 Straightening Roller
- 12 Cover Disc
- 13 Grooved Piece
- 16 Ring
- 20.01 Section Plate
- 20.02 Section Plate
- 20.03 Section Plate
- 24 Spindle
- 30 Shaft
- 33 Nut
- 35.01 Pin
- 35.02 Pin
- 40 Washer

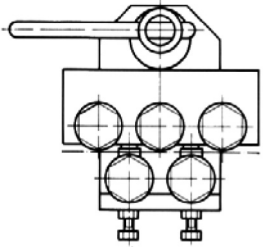
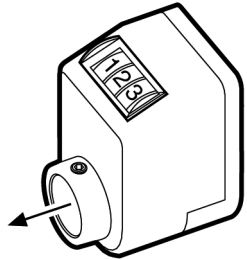
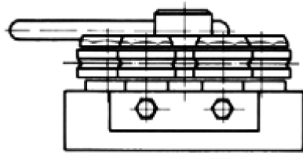
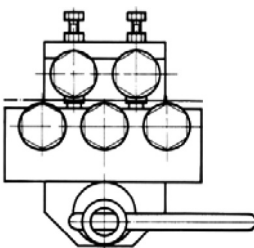
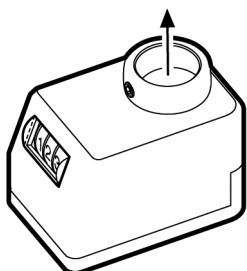
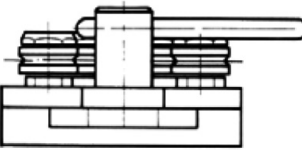
How to Order

Straightener Type Ref.	Part Ref.	Part Description
ER 5-7	34.01	SCREW

Please request accessory details for other Straighteners.

PO - Positional Counters

PO Positional Counters are available for the majority of Straighteners. Used to record and set the position of the Adjustable Straightening Rolls they reduce set up time, improve repeatability and ensure consistent results with minimal operator intervention. Available in two orientations for ease of reading.

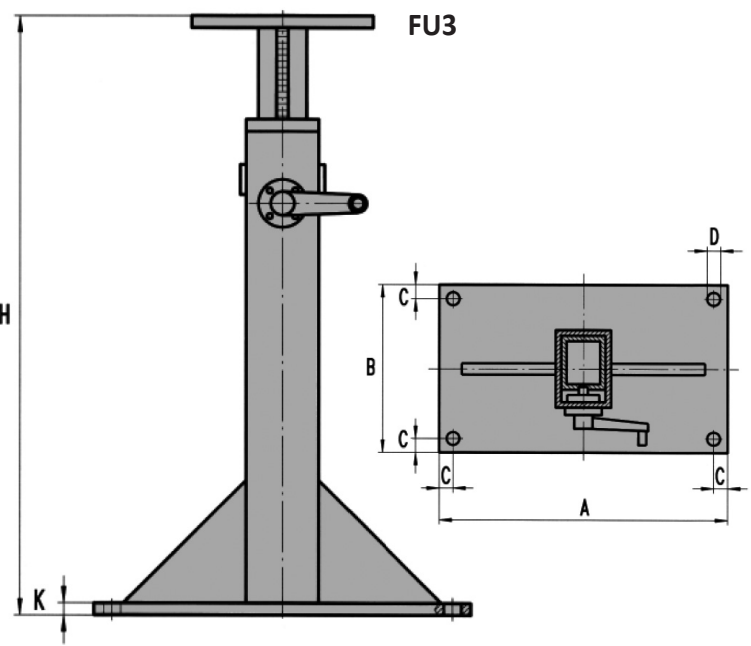
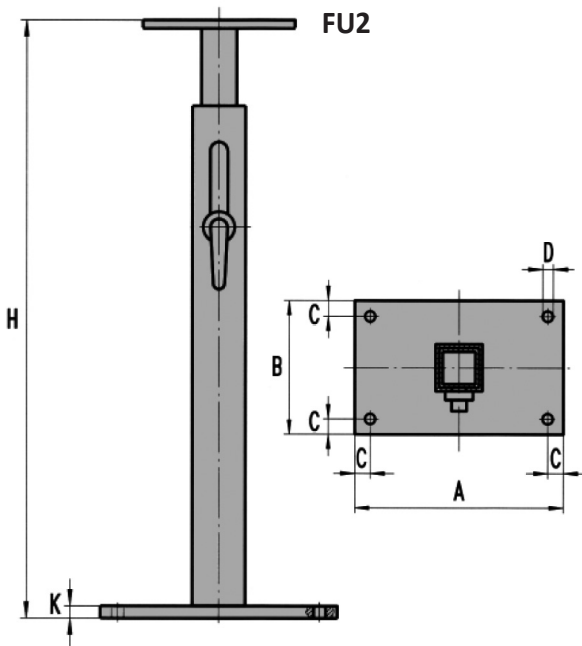
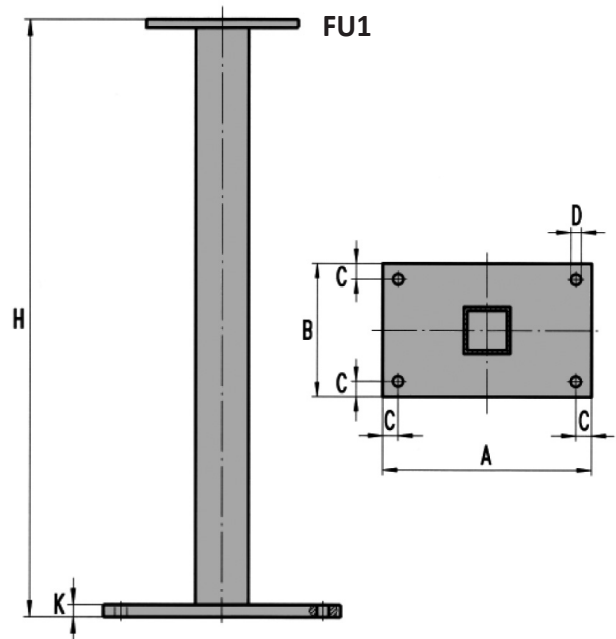
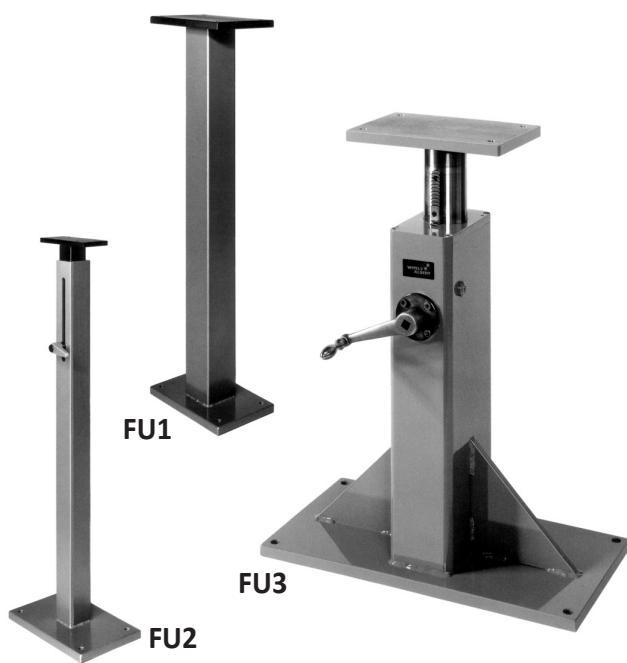
Straightener Orientation (Front View)	Counter Reference
	<p data-bbox="893 761 989 806">PO 2</p> 
	
	<p data-bbox="893 1366 989 1411">PO 4</p> 
	

To order, simply add the counter reference to the Straightener code



ER 7-1.5 PO 2

FU - Fixed & Adjustable Supports for Straighteners, Guide Rolls etc.



FU	Dimensions (mm)		
Order Ref.	FU 1	FU 2	FU 3
A	300	300	600
B	200	200	300
C	25	25	25
D	13.5	13.5	17
H	1000	1000 ± 100	1000 ± 100
K	20	20	20